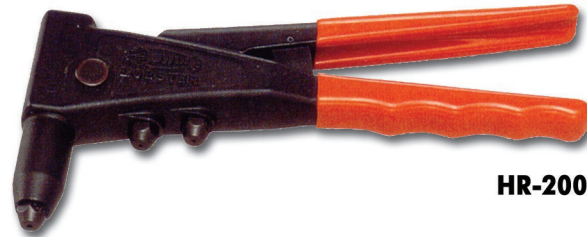


Lobster HR 200 Hand Riveter

The **Lobster® HR-200** hand rivet gun is a compact and shock-absorbing tool designed for both home and professional use. This lightweight rivet gun comes with nosepieces for 2.4mm, 3.2mm, and 4.0mm rivets, making it versatile for various riveting tasks.

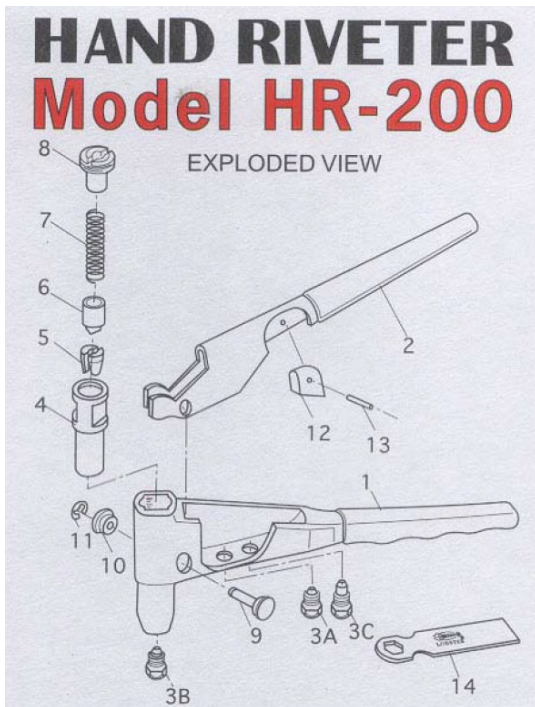


HR-200

Rivet Setting Capacity Table:

	2.40mm	3.20mm	4.00mm	4.80mm
Aluminium	•	•	•	
Steel		•		
Stainless		•		
Monel		•		

Spare Parts Table:



INDEX	CODE	PARTS NAME
1	14110	Frame (with PVC)
2	15930	Handle (without damper)
3A	10027	Nose Piece 2.4mm (3/32")
3B	10028	Nose Piece 3.2mm (1/8")
3C	10029	Nose Piece 4.0mm (5/32")
4	14071	Jaw Case – NOT STOCKED
5	10032	Jaw (Small)
6	10067	Jaw Pusher
7	10068	Spring
8	10069	Retainer
9	14079	Fulcrum Pin
10	14084	Collar
11	14088	E-Retaining Ring
12	14083	Damper
13	14087	Spring Pin
14	14091	Spanner – NOT STOCKED