



Supplier of Industrial Tooling and Accessories for
Assembly, Fabrication & Maintenance

The Global Quick Connect Specialist

– High Quality Quick Connect Components for All Media

CEJN





Stream-Line Hose

– For leak-free systems and longer life span

CEJN Hose are lightweight and extremely flexible and have excellent recoilability, making them a perfect mate for small and lightweight pneumatic tools. They are abrasion-resistant and score high marks in terms of impact, tensile and tear strength and lasts up to 10 times longer than conventional PVC hose.

CEJN's Stream-Line Series is a range of PUR hoses that is compatible with the other Stream-Line products, such as couplings, kink protectors and adapters, just to reduce the risk of leakage and give the customer's pneumatic system a higher quality and longer life span. The Stream-Line seal is made of a cone and swivel nut and, together with the stream-line hose, you get a tight and secure joint without clamps. The seal does not require any retightening.



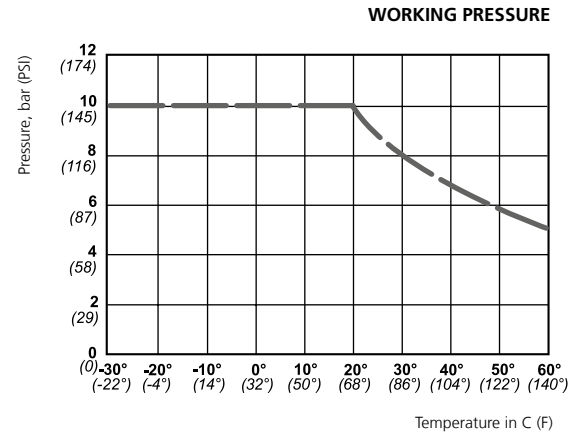
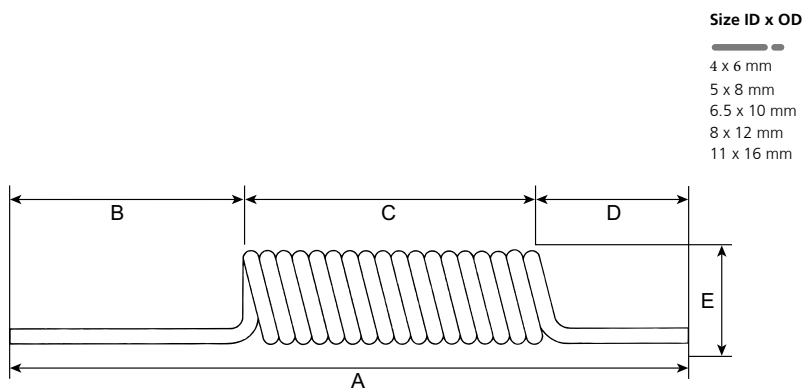
Spiral Hose – Non-Braided

- **Light and flexible**
- **Excellent resistance to oils, solvents, and both aqueous and non-aqueous solutions**
- **Long service life with outstanding aging qualities**

CEJN spiral hose is an excellent choice for applications that call for hose to have excellent recoil ability and crimp resistance. It offers high tensile and tear strength and resistance to impacts. The hose is abrasion resistant and is suitable for applications in a wide temperature range.



Max. working pressure..... 10 bar (145 PSI) (20°C, 68°F)
Min. burst pressure..... 25 bar (362 PSI) (20°C, 68°F)
Hose material..... FDA approved, Ester-based polyurethane



| SERVICE LENGTH | ID x OD | Total length | Part No. | A | B | C | D | E |
|-----------------|-------------|--------------|-------------|------|-----|-----|-----|----|
| 2 METERS | 4 x 6 mm | 2.5 m | 19 958 5620 | 725 | 500 | 125 | 100 | 38 |
| | 5 x 8 mm | 2.5 m | 19 958 5820 | 740 | 500 | 140 | 100 | 42 |
| | 6.5 x 10 mm | 2.5 m | 19 958 6020 | 740 | 500 | 140 | 100 | 52 |
| | 8 x 12 mm | 2.5 m | 19 958 6220 | 740 | 500 | 140 | 100 | 65 |
| | 11 x 16 mm | 2.5 m | 19 958 6620 | 720 | 500 | 120 | 100 | 95 |
| 4 METERS | 5 x 8 mm | 5.0 m | 19 958 5840 | 930 | 500 | 330 | 100 | 42 |
| | 6.5 x 10 mm | 5.0 m | 19 958 6040 | 930 | 500 | 330 | 100 | 52 |
| | 8 x 12 mm | 5.0 m | 19 958 6240 | 920 | 500 | 320 | 100 | 65 |
| 6 METERS | 11 x 16 mm | 5.0 m | 19 958 6640 | 880 | 500 | 280 | 100 | 95 |
| | 5 x 8 mm | 7.5 m | 19 958 5860 | 1120 | 500 | 520 | 100 | 42 |
| | 6.5 x 10 mm | 7.5 m | 19 958 6060 | 1120 | 500 | 520 | 100 | 52 |
| 8 METERS | 8 x 12 mm | 7.5 m | 19 958 6260 | 1100 | 500 | 500 | 100 | 65 |
| | 11 x 16 mm | 7.5 m | 19 958 6660 | 1040 | 500 | 440 | 100 | 95 |
| | 5 x 8 mm | 10.0 m | 19 958 5880 | 1300 | 500 | 700 | 100 | 42 |
| 8 METERS | 6.5 x 10 mm | 10.0 m | 19 958 6080 | 1310 | 500 | 710 | 100 | 52 |
| | 8 x 12 mm | 10.0 m | 19 958 6280 | 1280 | 500 | 680 | 100 | 65 |
| | 11 x 16 mm | 10.0 m | 19 958 6680 | 1210 | 500 | 610 | 100 | 95 |

CEJN reserves the right to make changes without further notification. Thread connections are listed according to ISO Standards. Other connections and sealing material on request. Check with an authorized CEJN distributor for availability and prices. Some part numbers may be subject to minimum order quantities. Please visit our website, www.cejn.com, for general maintenance tips.

Spiral Anti-Spark Hose – Non-Braided

- **Spark and scorch resistant**
- **Excellent resistance to oils, solvents, and other non-aqueous solutions**
- **Long service life with outstanding aging qualities**

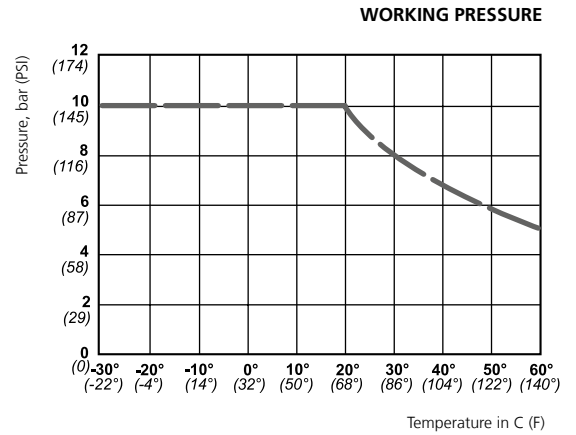
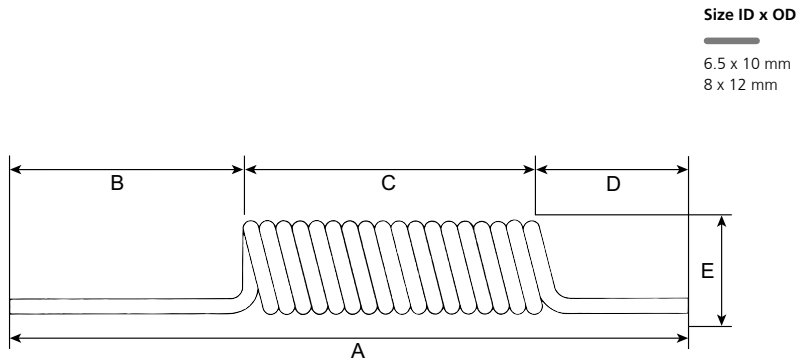
CEJN spiral anti-spark hose is resistant to scorching and damage due to exposure to sparks that are present in welding environments or where cutting equipment is in use. Its excellent recoil ability and outstanding aging qualities make it ideal for assembly lines and fixed workplaces. The hose can also be used for breathing air applications.

See the *CEJN Breathing Air Product Range* for more information.

Max. working pressure..... 10 bar (145 PSI) (20°C, 68°F)

Min. burst pressure..... 25 bar (362 PSI) (20°C, 68°F)

Hose material Ester-based polyurethane



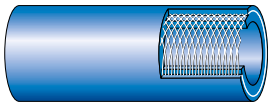
| SERVICE LENGTH | ID x OD | Total length | Part No. | A | B | C | D | E |
|----------------|-------------|--------------|-------------|------|-----|-----|-----|----|
| 2 M | 6.5 x 10 mm | 2.5 m | 19 958 4020 | 740 | 500 | 140 | 100 | 52 |
| | 8 x 12 mm | 2.5 m | 19 958 4220 | 740 | 500 | 140 | 100 | 65 |
| 4 M | 6.5 x 10 mm | 5.0 m | 19 958 4040 | 930 | 500 | 330 | 100 | 52 |
| | 8 x 12 mm | 5.0 m | 19 958 4240 | 920 | 500 | 320 | 100 | 65 |
| 6 M | 6.5 x 10 mm | 7.5 m | 19 958 4060 | 1120 | 500 | 520 | 100 | 52 |
| | 8 x 12 mm | 7.5 m | 19 958 4260 | 1100 | 500 | 500 | 100 | 65 |
| 8 M | 6.5 x 10 mm | 8.0 m | 19 958 4080 | 1310 | 500 | 710 | 100 | 52 |
| | 8 x 12 mm | 8.0 m | 19 958 4280 | 1280 | 500 | 680 | 100 | 65 |

CEJN reserves the right to make changes without further notification. Thread connections are listed according to ISO Standards. Other connections and sealing material on request. Check with an authorized CEJN distributor for availability and prices. Some part numbers may be subject to minimum order quantities. Please visit our website, www.cejn.com, for general maintenance tips.

Straight Hose – Braided

- **Light and flexible**
- **Excellent resistance to oil, solvents, and other non-aqueous solutions**
- **Long service life with outstanding aging qualities**

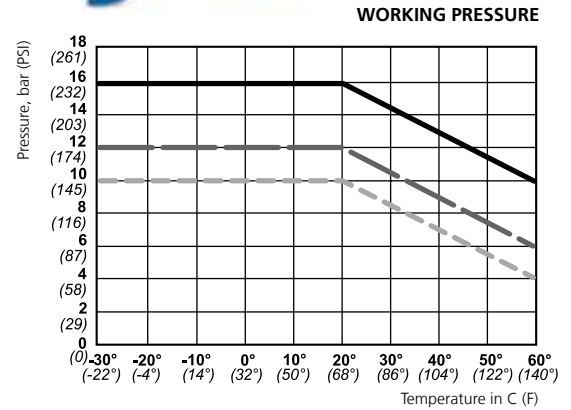
CEJN straight braided hose is an excellent choice for applications requiring a maximum working pressure up to 16 bar (232 PSI). It offers a wide temperature range and high tensile, tear, and impact strength. The hose easily springs back to its original form and has excellent abrasion resistance.



Size ID x OD

- 6.5 x 10 mm
- 8 x 12 mm
- 9.5 x 13.5 mm
- 11 x 16 mm
- 13 x 18 mm

Hose material Ester-based polyurethane reinforced with polyester fiber



| | ID x OD | Total length | Part No. | Max working pressure (20°C, 68°F) | Burst pressure (20°C, 68°F) |
|-------------------------|---------------|--------------|-------------|-----------------------------------|-----------------------------|
| STRAIGHT BRAIDED | 6.5 x 10 mm | 100 m | 19 958 1000 | 16 bar (232 PSI) | 64 bar (928 PSI) |
| | | 50 m | 19 958 1020 | 16 bar (232 PSI) | 64 bar (928 PSI) |
| | 8 x 12 mm | 100 m | 19 958 1200 | 16 bar (232 PSI) | 64 bar (928 PSI) |
| | | 50 m | 19 958 1220 | 16 bar (232 PSI) | 64 bar (928 PSI) |
| | 9.5 x 13.5 mm | 100 m | 19 958 1350 | 16 bar (232 PSI) | 64 bar (928 PSI) |
| | | 50 m | 19 958 1370 | 16 bar (232 PSI) | 64 bar (928 PSI) |
| | 11 x 16 mm | 100 m | 19 958 1600 | 12 bar (174 PSI) | 48 bar (696 PSI) |
| | | 50 m | 19 958 1638 | 12 bar (174 PSI) | 48 bar (696 PSI) |
| | 13 x 18 mm | 50 m | 19 958 1801 | 10 bar (145 PSI) | 40 bar (580 PSI) |

Straight Hose – Non-Braided

- **Suitable for push-to-connect fittings**
- **Excellent resistance to oils, solvents, and other non-aqueous solutions**
- **Long service life with outstanding aging qualities**

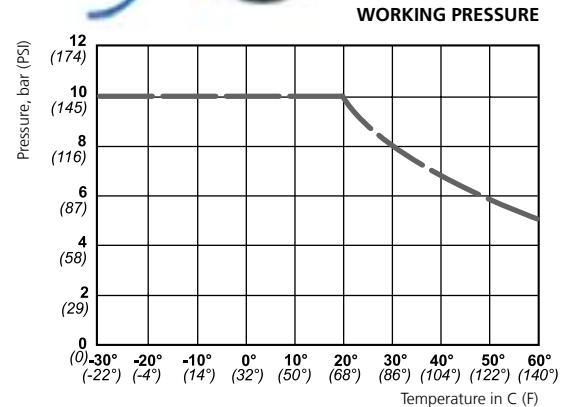
CEJN non-braided hose is an excellent choice for applications requiring a maximum working pressure up to 10 bar (145 PSI). It is light and flexible and offers high tensile, tear, and impact strength. The hose easily springs back to its original form.



Size ID x OD

- 4 x 6 mm
- 5 x 8 mm
- 6.5 x 10 mm
- 8 x 12 mm
- 11 x 16 mm

Hose material FDA approved, Ester-based polyurethane



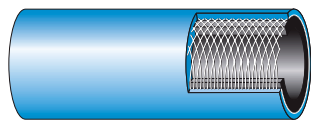
| | ID x OD | Total length | Part No. | Max working pressure (20°C, 68°F) | Burst pressure (20°C, 68°F) |
|----------------------------------|-------------|--------------|-------------|-----------------------------------|-----------------------------|
| NON-BRAIDED STRAIGHT HOSE | 4 x 6 mm | 50 m | 19 958 0702 | 10 bar (145 PSI) | 25 bar (362 PSI) |
| | 5 x 8 mm | 50 m | 19 958 0802 | 10 bar (145 PSI) | 25 bar (362 PSI) |
| | 6.5 x 10 mm | 50 m | 19 958 1002 | 10 bar (145 PSI) | 25 bar (362 PSI) |
| | 8 x 12 mm | 50 m | 19 958 1202 | 10 bar (145 PSI) | 25 bar (362 PSI) |
| | 11 x 16 mm | 50 m | 19 958 1602 | 10 bar (145 PSI) | 25 bar (362 PSI) |

CEJN reserves the right to make changes without further notification. Thread connections are listed according to ISO Standards. Other connections and sealing material on request. Check with an authorized CEJN distributor for availability and prices. Some part numbers may be subject to minimum order quantities. Please visit our website, www.cejn.com, for general maintenance tips.

Antistatic Hose – Straight Braided

- **Dissipates electro-static discharge**
- **Excellent weather resistance**
- **Extreme flexibility**

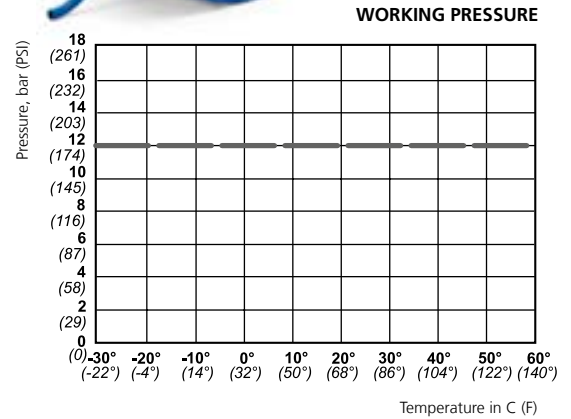
The electrically conductive hose is made of braided EPDM Rubber that dissipates electro-static discharge and minimizes errant sparks. It is an excellent choice for applications in which media causes excessive static charge or where a static discharge has the potential to cause explosion or damage. The hose offers extreme flexibility in all weather and has a protective cover that stands up well to the elements.



Size ID x OD

- 8 x 15 mm
- 10 x 17.5 mm
- 12 x 19.5 mm

Hose material..... Braided EPDM Rubber



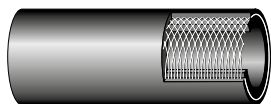
| | ID x OD | Total length | Part No. | Max working pressure (20°C, 68°F) | Burst pressure (20°C, 68°F) |
|-------------------------------------|--------------|--------------|-------------|-----------------------------------|-----------------------------|
| ELECTRICALLY CONDUCTIVE HOSE | 8 x 15 mm | 40 m | 19 900 9920 | 12 bar (174 PSI) | 48 bar (696 PSI) |
| | 10 x 17,5 mm | 40 m | 19 900 9918 | 12 bar (174 PSI) | 48 bar (696 PSI) |
| | 12 x 19.5 mm | 40 m | 19 900 9921 | 12 bar (174 PSI) | 48 bar (696 PSI) |

Anti-Spark Hose – Straight Braided

- **Spark and scorch resistant**
- **Excellent resistance to oils, solvents, and other non-aqueous solutions**
- **Long service life with outstanding aging qualities**

CEJN anti-spark hose is resistant to scorching and damage due to exposure to sparks that are present in welding environments or where cutting equipment is in use. The hose offers outstanding aging qualities and long duty. It is light and flexible and has high impact strength, as well as high tensile and tear strength. The hose easily springs back to its original form.

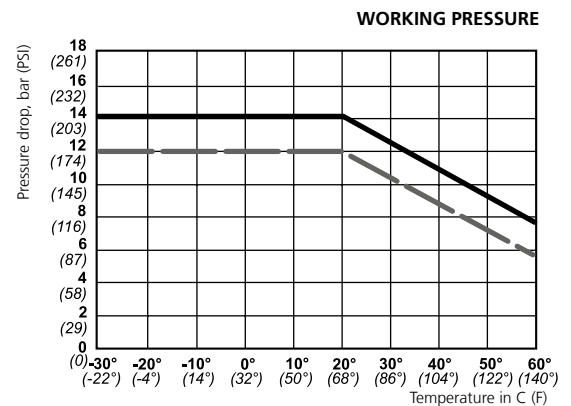
The first layer of the hose consists of ester-based polyurethane, the second of polyester fiber braiding and the third of ester-based polyurethane.



Size ID x OD

- 8 x 12 mm
- 9.5 x 13.5 mm
- 11 x 16 mm

Hose material..... Ester-based polyurethane reinforced with polyester fiber



| | ID x OD | Total length | Part No. | Max working pressure (20°C, 68°F) | Burst pressure (20°C, 68°F) |
|------------------------------|---------------|--------------|-------------|-----------------------------------|-----------------------------|
| STRAIGHT BRAIDED HOSE | 8 x 12 mm | 50 m | 19 958 1230 | 14 bar (203 PSI) | 56 bar (812 PSI) |
| | 9.5 x 13.5 mm | 50 m | 19 958 1330 | 12 bar (174 PSI) | 48 bar (696 PSI) |
| | 11 x 16 mm | 50 m | 19 958 1637 | 12 bar (174 PSI) | 48 bar (696 PSI) |

CEJN reserves the right to make changes without further notification. Thread connections are listed according to ISO Standards. Other connections and sealing material on request. Check with an authorized CEJN distributor for availability and prices. Some part numbers may be subject to minimum order quantities. Please visit our website, www.cejn.com, for general maintenance tips.

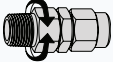


Adapters – Stream-Line Connections



CEJN Stream-Line connections are available with swivel and fixed adapters, both are offered with or without kink protectors.



TECHNICAL DATA

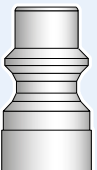
Material Plated brass

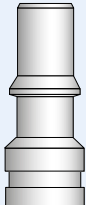
| | ID x OD | Part No. | Connection |
|-----------------------------------------------------------------------------------------------------------------------------------|---------------|-------------|------------|
| SWIVEL ADAPTERS  | 5 x 8 mm | 19 958 0877 | R 1/4" |
| | | 19 958 0892 | NPT 1/4" |
| | 6.5 x 10 mm | 19 958 1077 | R 1/4" |
| | | 19 958 1092 | NPT 1/4" |
| | 8 x 12 mm | 19 958 1277 | R 1/4" |
| | | 19 958 1292 | NPT 1/4" |
| | | 19 958 1279 | R 3/8" |
| | | 19 958 1294 | NPT 3/8" |
| | 9.5 x 13.5 mm | 19 958 1377 | R 1/4" |
| | | 19 958 1392 | NPT 1/4" |
| | | 19 958 1379 | R 3/8" |
| | | 19 958 1394 | NPT 3/8" |
| | 11 x 16 mm | 19 958 1687 | R 1/2" |
| | | 19 958 1695 | NPT 1/2" |
| SWIVEL ADAPTERS WITH KINK PROTECTORS  | 5 x 8 mm | 19 958 0876 | R 1/4" |
| | | 19 958 0891 | NPT 1/4" |
| | 6.5 x 10 mm | 19 958 1076 | R 1/4" |
| | | 19 958 1091 | NPT 1/4" |
| | | 19 958 1276 | R 1/4" |
| | | 19 958 1291 | NPT 1/4" |
| | 8 x 12 mm | 19 958 1278 | R 3/8" |
| | | 19 958 1293 | NPT 3/8" |
| | | 19 958 1376 | R 1/4" |
| | | 19 958 1391 | NPT 1/4" |
| | 9.5 x 13.5 mm | 19 958 1378 | R 3/8" |
| | | 19 958 1393 | NPT 3/8" |
| | | 19 958 1686 | R 1/2" |
| | | 19 958 1694 | NPT 1/2" |
| FIXED ADAPTERS  | 4 x 6 mm | 24 125 0618 | R 1/8" |
| | | 24 125 0628 | R 1/4" |
| | 5 x 8 mm | 19 958 0812 | R 1/4" |
| | | 19 958 0842 | NPT 1/4" |
| | 6.5 x 10 mm | 19 958 1012 | R 1/4" |
| | | 19 958 1042 | NPT 1/4" |
| | 8 x 12 mm | 19 958 1212 | R 1/4" |
| | | 19 958 1242 | NPT 1/4" |
| | | 19 958 1214 | R 3/8" |
| | | 19 958 1244 | NPT 3/8" |
| | 9.5 x 13.5 mm | 19 958 1312 | R 1/4" |
| | | 19 958 1342 | NPT 1/4" |
| | | 19 958 1314 | R 3/8" |
| | | 19 958 1344 | NPT 3/8" |
| 11 x 16 mm | 19 958 1615 | R 1/2" | |
| | 19 958 1645 | NPT 1/2" | |
| 13 x 18 mm | 19 958 1815 | R 1/2" | |

| | ID x OD | Part No. | Connection |
|---------------------------------------------------------------------------------------------------------------------------------|---------------|-------------|-------------|
| FIXED ADAPTERS WITH KINK PROTECTORS  | 5 x 8 mm | 19 958 0813 | R 1/4" |
| | | 19 958 0843 | NPT 1/4" |
| | 6.5 x 10 mm | 19 958 1013 | R 1/4" |
| | | 19 958 1043 | NPT 1/4" |
| | 8 x 12 mm | 19 958 1213 | R 1/4" |
| | | 19 958 1215 | R 3/8" |
| | | 19 958 1246 | NPT 3/8" |
| | | 19 958 1243 | NPT 1/4" |
| | 9.5 x 13.5 mm | 19 958 1313 | R 1/4" |
| | | 19 958 1343 | NPT 1/4" |
| | | 19 958 1315 | R 3/8" |
| | 11 x 16 mm | 19 958 1616 | R 1/2" |
| | 9.5 x 13.5 mm | 19 958 1345 | NPT 3/8" |
| | 11 x 16 mm | 19 958 1646 | NPT 1/2" |
| KINK PROTECTORS  | 6.5 x 10 mm | 10 300 4010 | 6.5 x 10 mm |
| | 8 x 12 mm | 10 300 4012 | 8 x 12 mm |

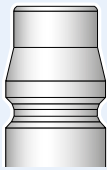
CEJN reserves the right to make changes without further notification. Thread connections are listed according to ISO Standards. Other connections and sealing material on request. Check with an authorized CEJN distributor for availability and prices. Some part numbers may be subject to minimum order quantities. Please visit our website, www.cejn.com, for general maintenance tips.

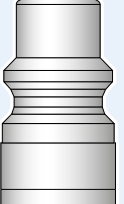
| CEJN | | | |
|-------------------------------------------------------------------------------------------------------------------------------------------------------------------------------------------------------------------------------------------------------------------------------|----------------------------------------------------------------------------------------------------------------------------------------------------------------------------------------------------------------------------------------------------------------------------------|--------------------------------------------------------------------------------------------------------------------------------------------------------------------------------------------------------------------------------------------------------------------------------------|--------------------------------------------------------------------------------------------------------------------------------------------------------------------------------------------------------------------------------------------------------------------------------------|
|  <p>Series 141</p> <p>Profile: CEJN Original, 2.5 mm</p> <p>Flow rate* at 6 bar: 86 with 0,5 bar pr drop</p> <p>One hand operated: Yes</p> <p>Safety available: No</p> |  <p>Series 220</p> <p>Profile: CEJN Original, 5 mm</p> <p>Flow rate* at 6 bar: 580 with 0,5 bar pr drop</p> <p>One hand operated: Yes</p> <p>Safety available: No</p> |  <p>Series 223</p> <p>Profile: Eurostandard 5 mm</p> <p>Flow rate* at 6 bar: 535 with 0,5 bar pr drop</p> <p>One hand operated: Yes</p> <p>Safety available: No</p> |  <p>Series 320</p> <p>Profile: CEJN Original, Eurostandard 7.4 mm</p> <p>Flow rate* at 6 bar: 2250 with 0,5 bar pr drop</p> <p>One hand operated: Yes</p> <p>Safety available: Yes</p> |
|  <p>Series 326</p> <p>Profile: CEJN Original, 7.4 mm</p> <p>Flow rate* at 6 bar: 725 Stainless with 0,5 bar pr drop</p> <p>One hand operated: Yes</p> <p>Safety available: No</p> |  <p>Series 342</p> <p>Profile: CEJN Original, 7.4 mm Safetylock</p> <p>Flow rate* at 6 bar: 1950 with 0,5 bar pr drop</p> <p>One hand operated: Yes</p> <p>Safety available: Yes</p> |  <p>Series 410</p> <p>Profile: CEJN Original, Eurostandard 10.4 mm</p> <p>Flow rate* at 6 bar: 3900 with 0,5 bar pr drop</p> <p>One hand operated: Yes</p> <p>Safety available: Yes</p> |  <p>Series 442</p> <p>Profile: CEJN Original, 10.4 mm Safetylock</p> <p>Flow rate* at 6 bar: 3950 with 0,5 bar pr drop</p> <p>One hand operated: Yes</p> <p>Safety available: Yes</p> |

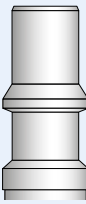
| ISO B |
|-------------------------------------------------------------------------------------------------------------------------------------------------------------------------------------------------------------------------------------------------------------------------------|
|  <p>Series 310</p> <p>Profile: ISO 6150 B, A-A 59439, 5.3 mm</p> <p>Flow rate* at 6 bar: 925 with 0,5 bar pr drop</p> <p>One hand operated: Yes</p> <p>Safety available: Yes</p> |

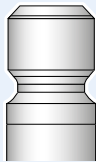
| ISO C |
|--------------------------------------------------------------------------------------------------------------------------------------------------------------------------------------------------------------------------------------------------------------------|
|  <p>Series 291</p> <p>Profile: ISO 6150 C, 5.5 mm</p> <p>Flow rate* at 6 bar: 640 with 0,5 bar pr drop</p> <p>One hand operated: Yes</p> <p>Safety available: Yes</p> |

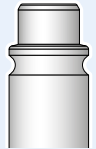
| ARO |
|---------------------------------------------------------------------------------------------------------------------------------------------------------------------------------------------------------------------------------------------------------------------------|
|  <p>Series 300</p> <p>Profile: ARO210 Standard, 5.5 mm</p> <p>Flow rate* at 6 bar: 1050 with 0,5 bar pr drop</p> <p>One hand operated: Yes</p> <p>Safety available: Yes</p> |

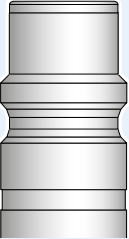
| Asian |
|-------------------------------------------------------------------------------------------------------------------------------------------------------------------------------------------------------------------------------------------------------------------------------------------|
|  <p>Series 315</p> <p>Profile: Asian Standard, ARO380 Standard, 7.5mm</p> <p>Flow rate* at 6 bar: 1950 with 0,5 bar pr drop</p> <p>One hand operated: Yes</p> <p>Safety available: Yes</p> |

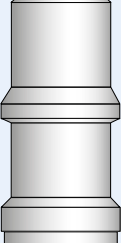
| |
|---------------------------------------------------------------------------------------------------------------------------------------------------------------------------------------------------------------------------------------------------------------------------------|
|  <p>Series 430</p> <p>Profile: ISO 6150 B, A-A 59439, 8.2 mm</p> <p>Flow rate* at 6 bar: 2350 with 0,5 bar pr drop</p> <p>One hand operated: Yes</p> <p>Safety available: Yes</p> |
|---------------------------------------------------------------------------------------------------------------------------------------------------------------------------------------------------------------------------------------------------------------------------------|

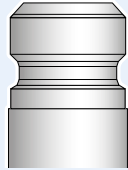
| |
|--------------------------------------------------------------------------------------------------------------------------------------------------------------------------------------------------------------------------------------------------------------------|
|  <p>Series 381</p> <p>Profile: ISO 6150 C, 8 mm</p> <p>Flow rate* at 6 bar: 1050 with 0,5 bar pr drop</p> <p>One hand operated: Yes</p> <p>Safety available: Yes</p> |
|--------------------------------------------------------------------------------------------------------------------------------------------------------------------------------------------------------------------------------------------------------------------|

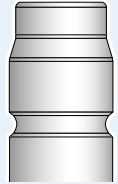
| Scandinavian |
|----------------------------------------------------------------------------------------------------------------------------------------------------------------------------------------------------------------------------------------------------------------------------------|
|  <p>Series 303</p> <p>Profile: Scandinavian standard, 6.5 mm</p> <p>Flow rate* at 6 bar: 1450 with 0,5 bar pr drop</p> <p>One hand operated: Yes</p> <p>Safety available: Yes</p> |

| AC |
|-----------------------------------------------------------------------------------------------------------------------------------------------------------------------------------------------------------------------------------------------------------------|
|  <p>Series 331</p> <p>Profile: AC Q10, 7 mm</p> <p>Flow rate* at 6 bar: 1600 with 0,5 bar pr drop</p> <p>One hand operated: Yes</p> <p>Safety available: No</p> |

| |
|------------------------------------------------------------------------------------------------------------------------------------------------------------------------------------------------------------------------------------------------------------------------------|
|  <p>Series 550</p> <p>Profile: ISO 6150 B, ARO-400, 11 mm</p> <p>Flow rate* at 6 bar: 3750 with 0,5 bar pr drop</p> <p>One hand operated: Yes</p> <p>Safety available: Yes</p> |
|------------------------------------------------------------------------------------------------------------------------------------------------------------------------------------------------------------------------------------------------------------------------------|

| |
|---------------------------------------------------------------------------------------------------------------------------------------------------------------------------------------------------------------------------------------------------------------------|
|  <p>Series 471</p> <p>Profile: ISO 6150 C, 11 mm</p> <p>Flow rate* at 6 bar: 2350 with 0,5 bar pr drop</p> <p>One hand operated: Yes</p> <p>Safety available: Yes</p> |
|---------------------------------------------------------------------------------------------------------------------------------------------------------------------------------------------------------------------------------------------------------------------|

| |
|----------------------------------------------------------------------------------------------------------------------------------------------------------------------------------------------------------------------------------------------------------------------------------|
|  <p>Series 408</p> <p>Profile: Scandinavian standard, 9.5 mm</p> <p>Flow rate* at 6 bar: 3450 with 0,5 bar pr drop</p> <p>One hand operated: Yes</p> <p>Safety available: Yes</p> |
|----------------------------------------------------------------------------------------------------------------------------------------------------------------------------------------------------------------------------------------------------------------------------------|

| |
|------------------------------------------------------------------------------------------------------------------------------------------------------------------------------------------------------------------------------------------------------------------|
|  <p>Series 421</p> <p>Profile: AC Q15, 10 mm</p> <p>Flow rate* at 6 bar: 3200 with 0,5 bar pr drop</p> <p>One hand operated: Yes</p> <p>Safety available: No</p> |
|------------------------------------------------------------------------------------------------------------------------------------------------------------------------------------------------------------------------------------------------------------------|



CEJN *The Quick Connect*
Solution Provider

AIR-MECH LTD
 Freephone 0800 247 6324
 www.air-mech.co.nz

Celebrating our
30th
 1988 - 2018
Anniversary